

Automatic Dish Washer

User Manual



Manufacturer : DAEYEONG E&B Co., Ltd.

Ansan-si, Gyeonggi-do, Korea

Tel. +82-31-364-8935

Fax. +82-31-491-1603

Table of Contents

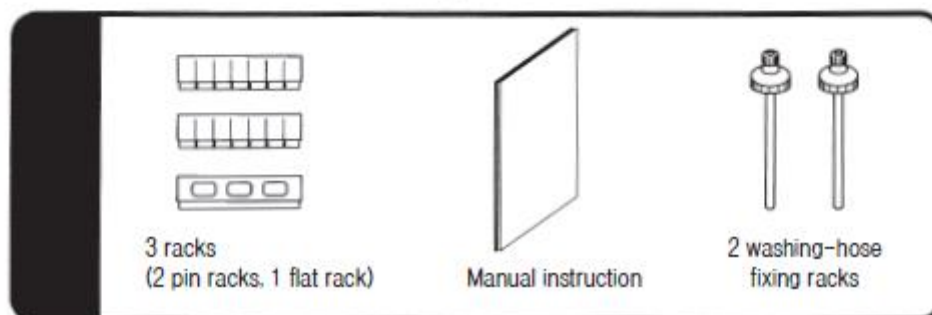
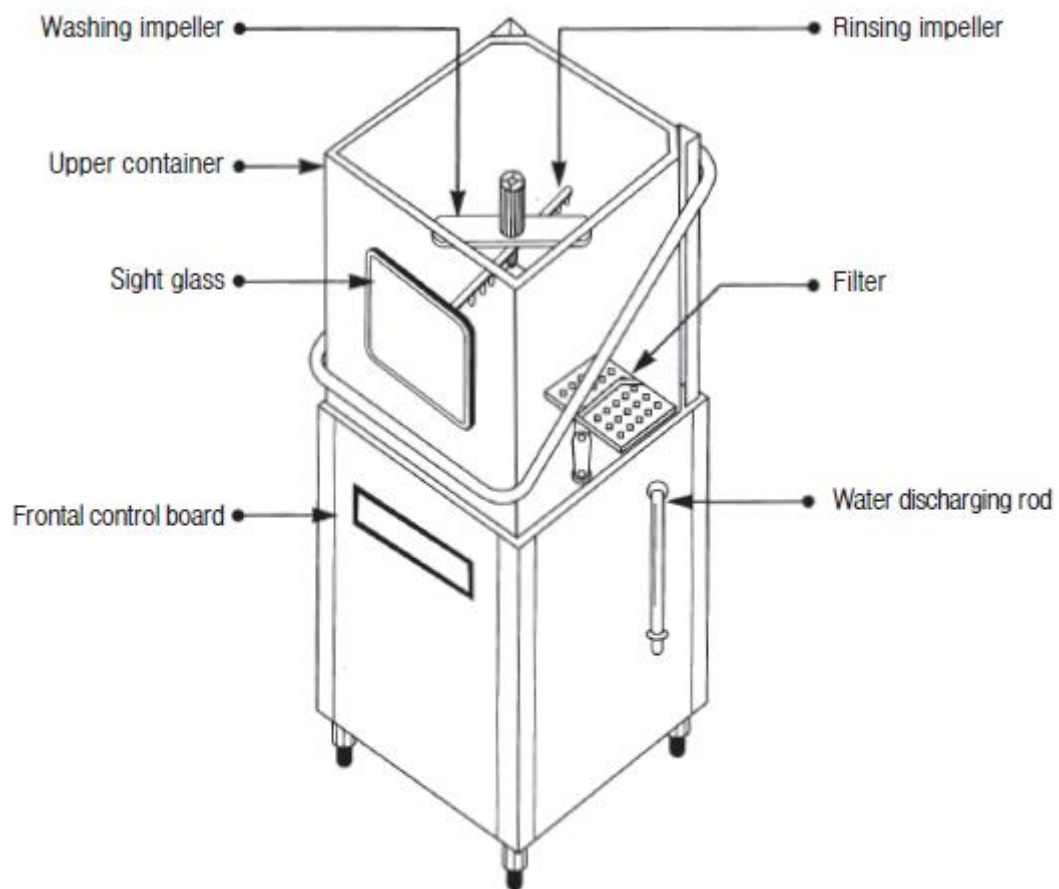
1. For your safety.....	P3
2. Assembly Structure.....	P4
3. Specifications.....	P5
4. Installation Guide.....	P6
5. Operation and Maintenance Guide.....	P7
6. Troubleshooting.....	P8

1. For your safety

 WARNING
Read this manual thoroughly before installation. Incorrect installation or usage may cause malfunction, or serious injury and death.

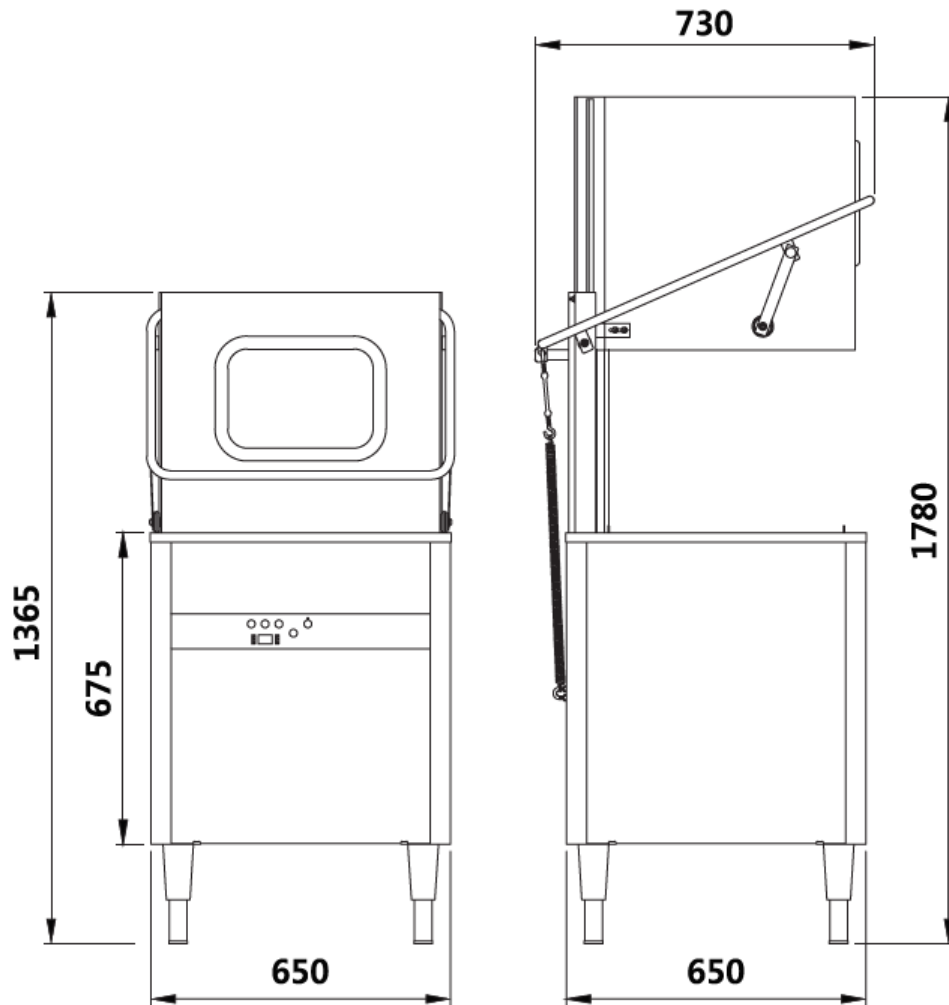
- 1) Turn off the power and disconnect electrical connection before installation, maintenance, and service.
- 2) Do not use the dishwasher if power cord is damaged.
- 3) Install the dishwasher at indoors with good ventilation and without high humidity.
- 4) Do not unplug power cord with wet hand.
- 5) The dishwasher must be installed and serviced by a qualified technician.
- 6) Do not bend the power cord or put anything on it.
- 7) Keep the dishwasher away from children.
- 8) The dishwasher stops operation for safety if the door is opening during operation.
- 9) Do not open the door while the dishwasher is in operation.
- 10) Connect to the power supply with alternating 220V, 30 A or above only.
- 11) Call for a service immediately and disconnect power in case abnormal sound or smoke is coming from the dishwasher.

2. Assembly Structure



3. Specifications

LDD-9200



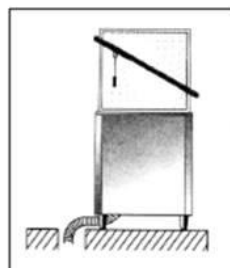
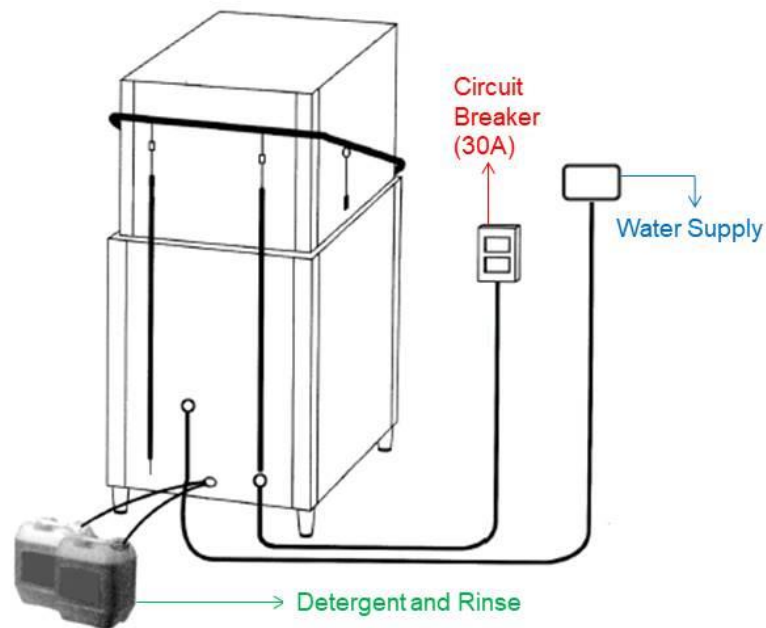
Exterior Dimension (mm)	W650 x D730 x H1780	
Net Weight	95 kg	
Tank	Washing Tank	Rinsing Tank
Motor	0.75 kw	0.1 kw
Volume	42 liters	27 liters
Temperature Range	55°C ~ 60°C	75°C ~ 90°C
Cycle Time	20 ~ 100 seconds	6 ~ 24 seconds
	Adjustable per 5 seconds	Adjustable per second
Maximum Power Consumption	3.8 kw	

4. Installation Guide

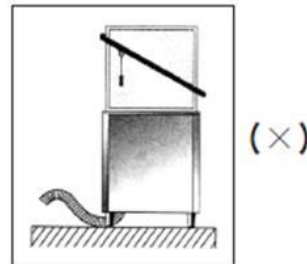
WARNING

Defective or non-approved parts obtained by unauthorized parties that cause damage to the machine will void warranty.

LDD-9200 Installation Guide



1. Connect drain hose into the drain outlet at the bottom side of unit.
2. Connect drain hose into drain hole the kitchen.



Install drain hose at least 80mm high from the floor.

5. Operation and Maintenance Guide

1) Caution

- (1) Scrape off any large amounts of leftover food and soften remnants of burnt food in pans.
- (2) Soak utensils into the water before putting them into the machine if necessary.
- (3) Do not double stack all utensils.
- (4) Do not open the door while the machine is in operation.
- (5) Use specialized detergent for dishwasher only.
- (6) Do not stack anything on the top.
- (7) Do not spray water over the dishwasher.

2) For operation

- (1) Open water supply valve and turn on the circuit breaker.
- (2) Turn on the machine while door is closed.
- (3) Alarm will be ringing for three seconds once water supply cycle is done.
- (4) Open the door and put utensils into the machine for cleaning
- (5) Alarm will be ringing for five seconds once cleaning cycle is done.

3) After using the machine

- (1) Turn off the machine and circuit breaker.
- (2) Close water supply valve.
- (3) Open the door and clean the machine after removing drain pipe.

4) Cleaning

■ Clean the dishwasher twice a day at least. More frequent cleaning might be required depending on installation condition.

- (1) Turn off the machine and circuit breaker.
- (2) Remove leftover food on the filter.
- (3) Rinse washing and rinsing tank with clean water.
- (4) Swipe machine exterior with soft fabric.

6. Troubleshooting

1) The dishwasher is not working at all

- (1) Check if circuit breaker is on.

2) Power keeps turning off

- (1) Press power button while the door is closed.
- (2) Check if the circuit breaker is in proper operation.

3) Water is leaking

- (1) Clean water level sensor inside of washing tank.
- (2) Check if drain pipe is properly assembled.
- (3) Check if solenoid valve is in proper operation.

4) Dishes are not completely dried

- (1) Check temperature by pressing 'stop' button and 'mode' button.
- (2) Check if rinse is properly supplied.

5) Dishes are not completely washed

- (1) Check if water is properly supplied.
- (2) Check if detergent and rinse are properly supplied.
- (3) Make sure dishes are not double stacked.

6) Too much bubbles are generated

- (1) Check temperature by pressing 'stop' button and 'mode' button.
- (2) Check if general dishwashing liquid is used during pre-washing procedure.
- (3) Remove all remaining water inside of washing tank and clean it.